

5 PC BRAKE SERVICE KIT

W180

BRAKE SPRING PLIERS INSTRUCTIONS (W175):

Removal and installation of spring

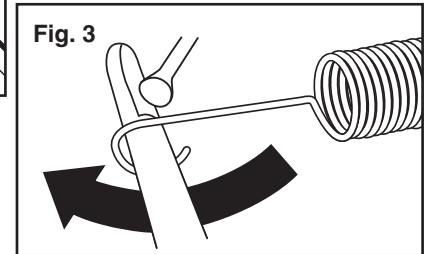
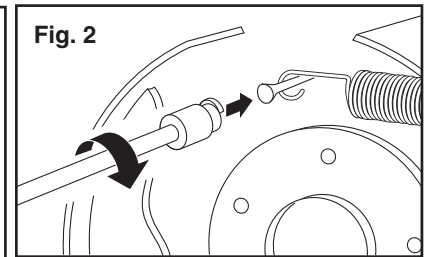
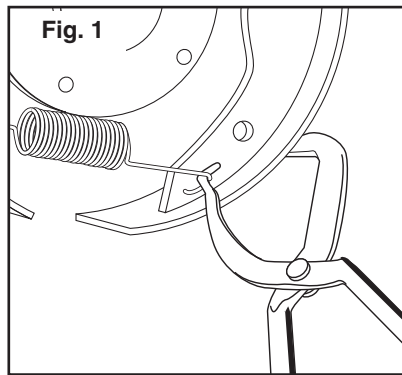
Grab the end of the spring with the hooked jaw. Place the pointed jaw against the outside of the shoe and squeeze the handles. (See figure 1.)

Removal of anchor spring

Place cupped end of plier handle over anchor pin and twist plier to force tip underneath spring lifting it off of pin. (See figure 2.)

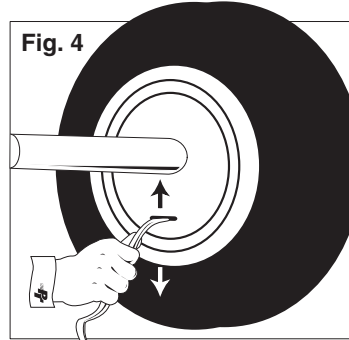
Installation of anchor spring

Place end of spring into hole in brake shoe. Place other end of spring over end of notched plier handle. Place notch on anchor pin and pull plier handle so as to slide end of spring off of handle and onto pin. (See figure 3.)



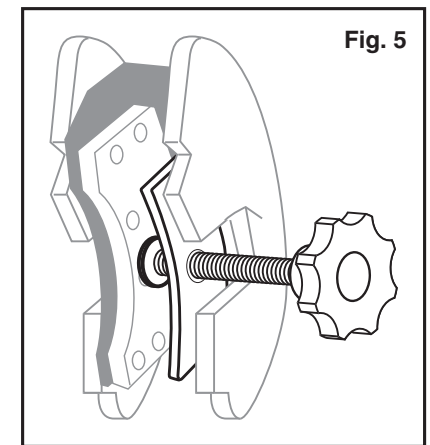
BRAKE SPOON INSTRUCTIONS (W178C):

Adjusts star-adjuster and screw-adjuster type brakes quickly & easily (See figure 4.)



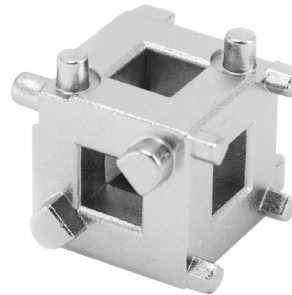
DISC BRAKE PAD SPREADER INSTRUCTIONS (W209):

Compresses inner brake pad and resets piston for easy pad replacement. (See figure 5.)



BRAKE BRAKE PISTON TOOL INSTRUCTIONS (W80621):

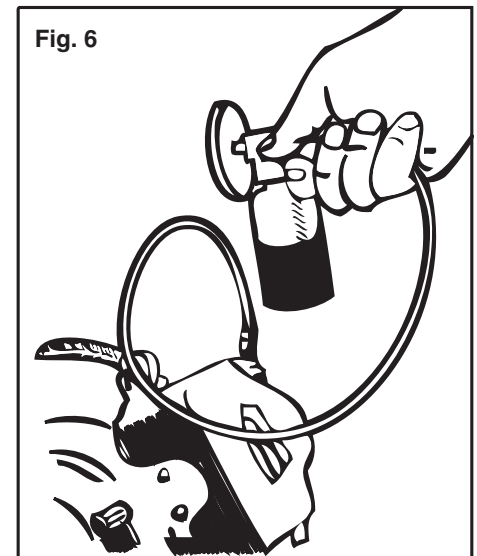
1. Select the side of the tool that matches slots on piston.
2. Turn with 3/8 in. square drive tool counterclockwise to remove piston, clockwise to install.
3. After installation, be sure slots on piston are correctly aligned to back of pad .



BRAKE BLEEDER INSTRUCTIONS (W80625):

WARNING! Brake fluid is corrosive. Avoid contact with painted surfaces, clothing, skin and eyes. Wear eye protection. Follow vehicle manufacturer's sequence order for bleeding brake lines
If you jack vehicle up, **BE SURE TO USE JACK STANDS!**

1. Fill master cylinder reservoir with new brake fluid. Do not reuse brake fluid as it contains small air bubbles that will be reintroduced into system.
IMPORTANT: KEEP MASTER CYLINDER RESERVOIR FULL DURING BRAKE BLEEDING OPERATIONS.
Do not allow reservoir to become empty!
2. Assemble bleeder kit attaching short hose to fitting on inside lid of bottle. Attach long hose to corresponding fitting on outside (top) of lid.
3. Select adapter that best fits bleeder screw.
4. Refer to manufacturer's guide for brake bleeding directions (generally you start with the wheel cylinder/caliper furthest from master cylinder and progress towards master cylinder).
5. Connect adapter with bleeder screw. (See figure 6.)
6. Pump brake pedal slowly until pedal pressure becomes hard. While holding pedal down, open bleeder screw. Check hose for air bubbles.
7. When pedal goes to floor, close bleeder screw and repeat Step #6 until no bubbles are visible in hose.
8. Firmly tighten bleeder screw, then remove bleeder kit.
9. Repeat procedure for remaining wheel cylinders/calipers.



Performance
Tool